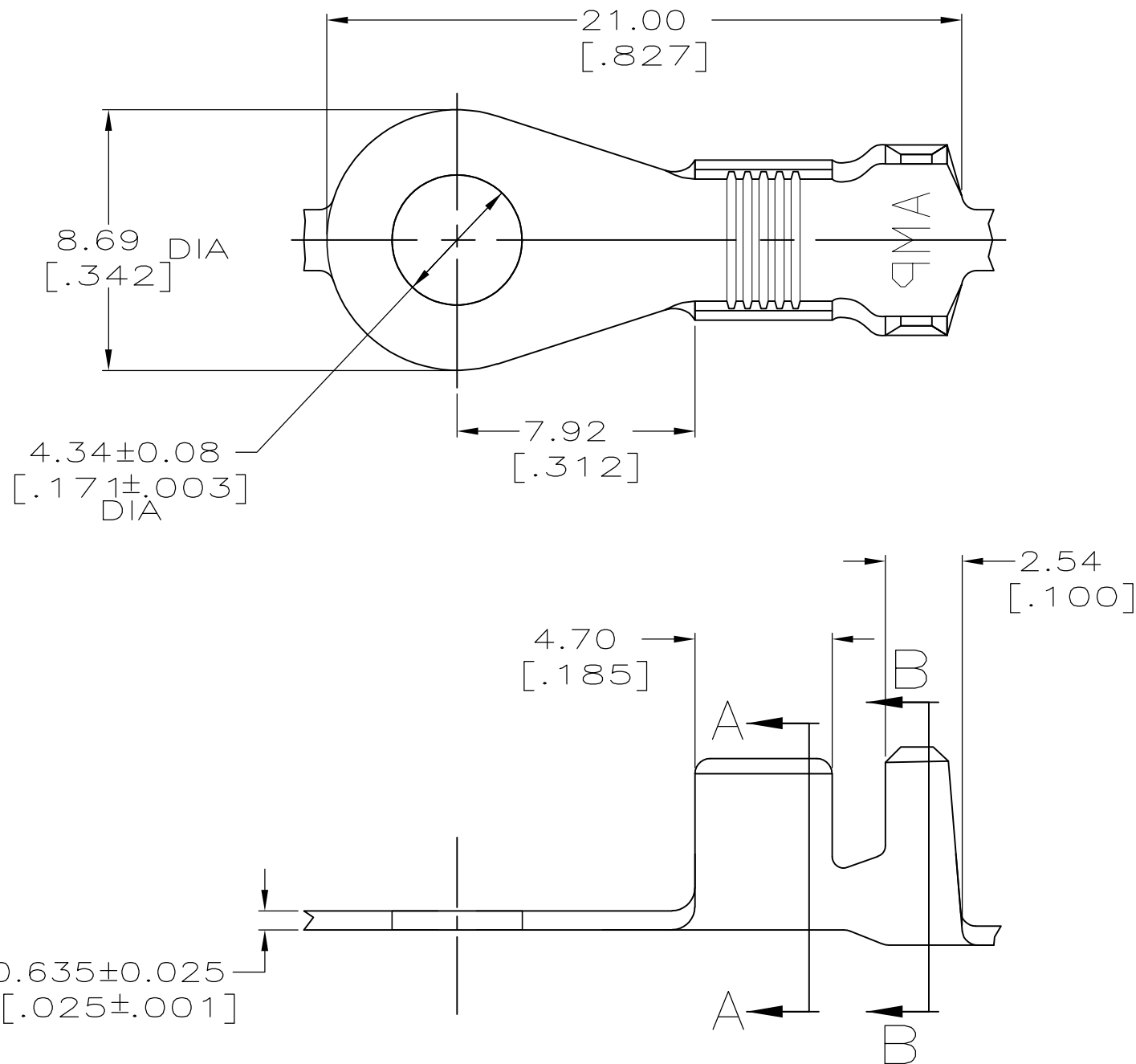


LOC
AF

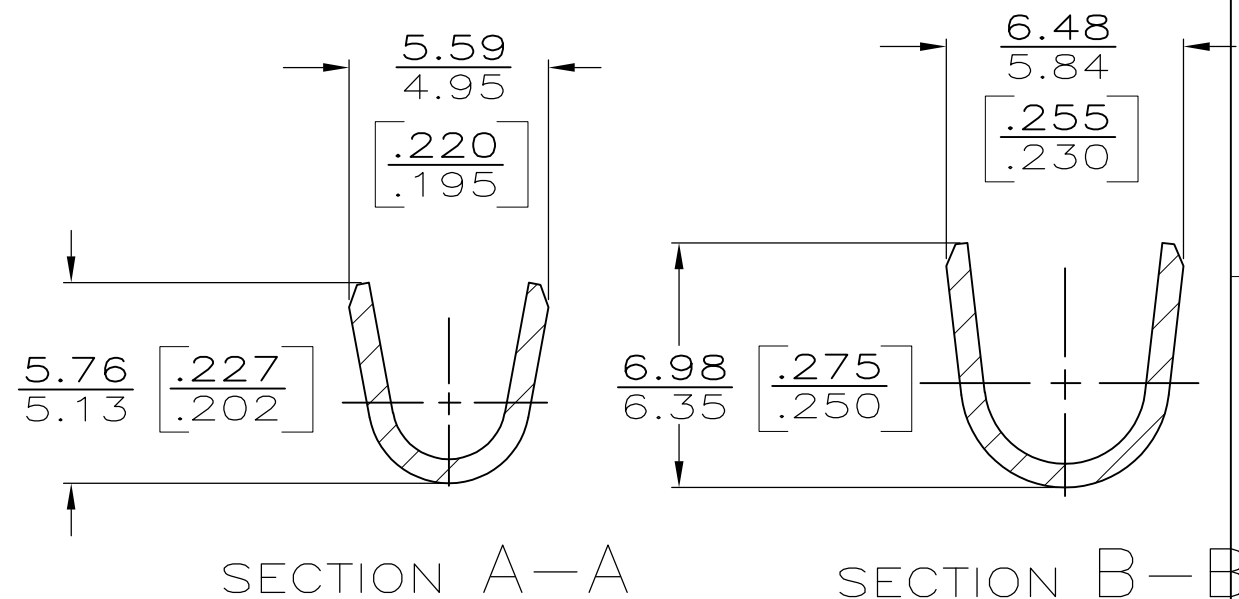
DIST
50

REVISIONS

P	LTR	DESCRIPTION	DATE	DWN	APVD
F		REVISE PER ECR-13-013738	15FEB2014	GRZ	JL



1 CONTINUOUS STRIP ON REELS.



3.81-4.83 [.150-.190] DIA (2) 2.92 [.115]	(2) 1.15mm ² -[17] AWG OR (2) 1.45mm ² -[15] AWG	60752-2
INSULATION RANGE	MAGNET WIRE RANGE	PART NUMBER

THIS DRAWING IS A CONTROLLED DOCUMENT.		DWN P FORTNEY 5/30/91	STE TE Connectivity			
		CHK MS FEHER 5/30/91				
DIMENSIONS: INCHES	TOLERANCES UNLESS OTHERWISE SPECIFIED:	APVD G YETTER 5/30/91	NAME RING,AMPLIVAR			
	0 PLC ± - 1 PLC ± - 2 PLC ± 0.38 [.015] 3 PLC ± - 4 PLC ± - ANGLES ± -	PRODUCT SPEC R WEAVILL 5/30/91	APPLICATION SPEC			
MATERIAL BRASS	FINISH 0.002032 [.000080] MIN TIN PL PER MIL-T-10727	WEIGHT -	SIZE A3	CAGE CODE 00779	DRAWING NO C-60752	RESTRICTED TO -
CUSTOMER DRAWING			SCALE 5:1	SHEET 1 OF 1	REV F	